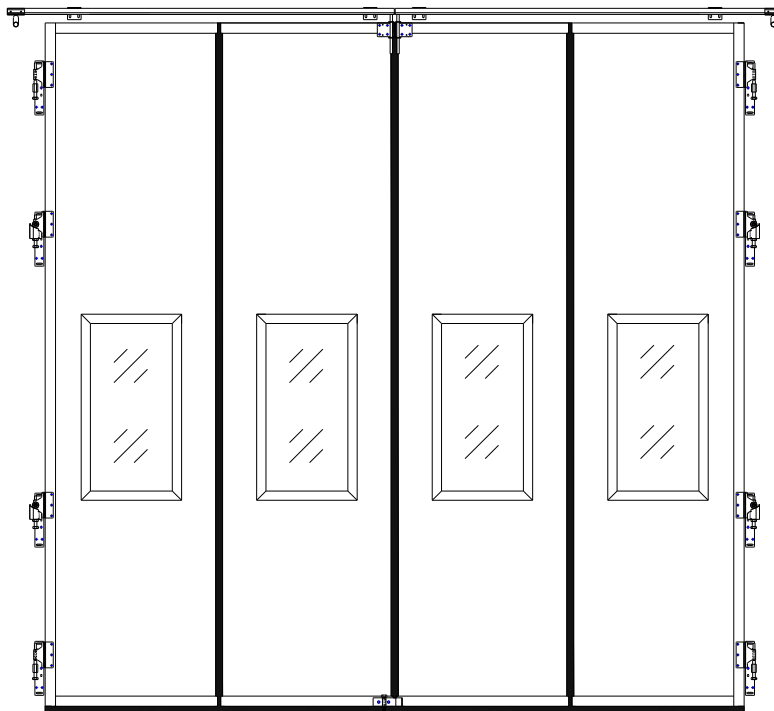




FINDOOR

FINDOOR FOLDING DOOR FRAMING INSTRUCTIONS





In this guide you will find the different space requirements for Findoor folding doors.

Findoor sells separate frame profiles but they are not included in folding doors. For this reason we mostly deliver the doors without frames and the customer has to make the frames himself. That is why it is important to take into account the mounting surfaces and space requirements of the folding door. If necessary, we offer a turnkey service, in which the customer is provided with framework and door installation.

For manufacturing the doors, we need the dimensions of the door opening, in reality we make the door slightly larger than the door opening. The folding door therefore does not come between the door opening but is attached and sealed against either the inner or outer surface of the wall.

If you have any questions, feel free to contact us!

Phone number: +49 3030 809 542

Email: info@findoorinternational.com

Website: www.findoorinternational.com

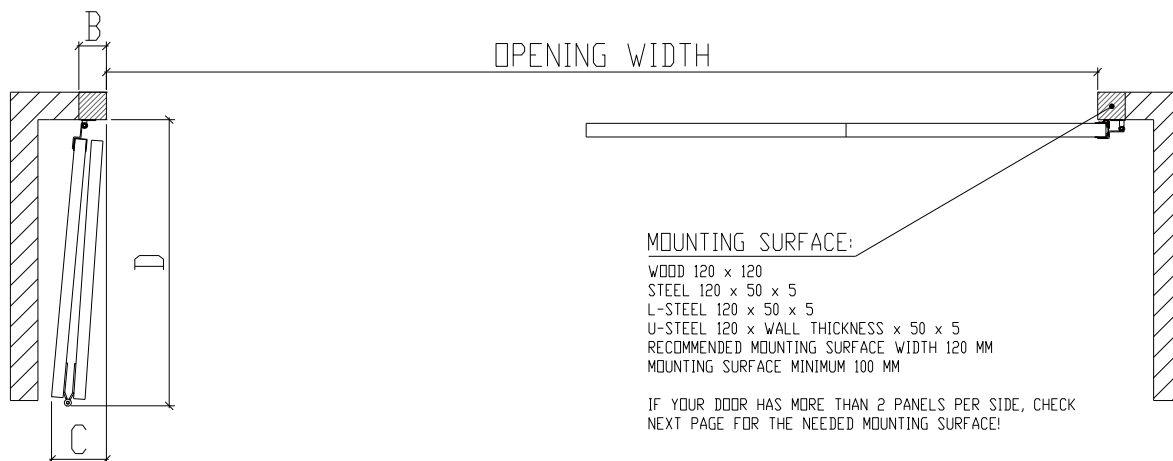
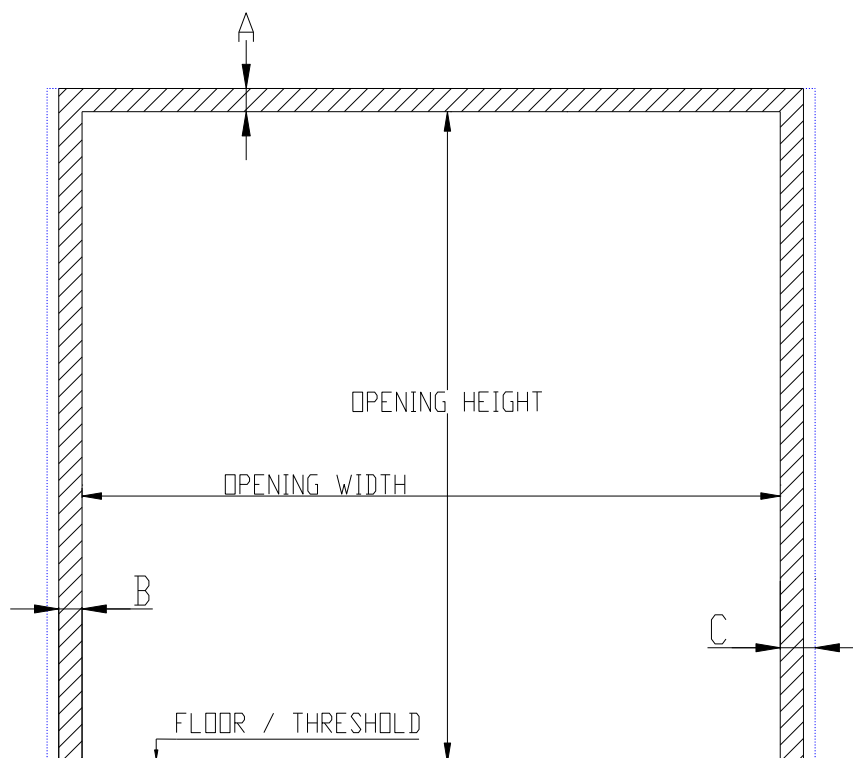
TABLE OF CONTENTS

TABLE OF CONTENTS	1
FRAMING INSTRUCTIONS	2
MOUNTING OPTIONS (3- and 4-panel)	4
THRESHOLD FOR INSWING DOOR	5
THRESHOLD FOR OUTSWING DOOR	6
ELECTRIC OPERATORS	7
FD OPERATORS	8
MOUNTING SURFACE FOR CHAIN OPERATOR	9

FRAMING INSTRUCTIONS

Our doors are not delivered with a separate frame, so the door hinges and top rail are attached directly to inner or outer surface of the wall (Or a separate frame structure). That's why it is important to take into account the mounting surfaces and spare requirements required by the folding door.

For manufacturing the doors, we need the dimensions of the door opening, in reality we make the door slightly larger than the door opening. The folding door therefore does not come between the door opening but is attached and sealed against either the inner or outer surface of the wall. The side and top mounting surfaces must be on the same flat level all the way.



Required mounting surface above the opening (A)

Attention! Mounting surface above the opening needs to be on the same level with side mounting surfaces.

- 2-panel folding door: 120 mm
- 3-panel folding door: 120 mm
- 3-panel folding door with EI30 fire rating or security class: 250 mm
- 4-panel folding door: 120 mm
- 4-panel folding door fully glazed: 250 mm
- 4-panel folding door with EI30 fire rating or security class: 250 mm
- 5-panel folding door: 250 mm
- 6-panel folding door: 250 mm
- 7-panel folding door: 350 mm
- 8-panel folding door: 350 mm

Required mounting surface on the sides (B)

Attention! Mounting surface on the sides needs to be on same level with the mounting surface above the opening.

- 2-panel folding door: 120 mm on the hinge side and 50 mm on the other side
- 3-panel folding door: 120 mm
- 4-panel folding door: 120 mm
- 5-panel folding door: 120 mm on 2-panel side and 200 mm on 3-panel side
- 6-panel folding door: 200 mm
- 7-panel folding door: 200 mm on 3-panel side and 400 mm on 4-panel side
- 8-panel folding door: 400 mm

Required side space when the door is on open position (C)

- 2-panel folding door: 180 mm (With FD operators 350 mm)
- 3-panel folding door: 180 mm (With FD operators 350 mm)
- 4-panel folding door: 180 mm (With FD operators 350 mm)
- 5-panel folding door: 180 mm on 2-panel side and 350 mm on 3-panel side
- 6-panel folding door: 350 mm
- 7-panel folding door: 350 mm on 3-panel side and 500 mm on 4-panel side
- 8-panel folding door: 500 mm (With FD operators 670 mm)

Required depth space when the door is on open position (D)

- 2-panel folding door: $(\text{Opening width} / 2) + 100$
- 3-panel folding door: $(\text{Opening width} / 3) + 100$
- 4-panel folding door: $(\text{Opening width} / 4) + 100$
- 5-panel folding door: $((\text{Opening width} + 50) / 5) + 150$
- 6-panel folding door: $((\text{Opening width} + 100) / 6) + 150$
- 7-panel folding door: $((\text{Opening width} + 290) / 7) + 150$
- 8-panel folding door: $((\text{Opening width} + 480) / 8) + 100$

MOUNTING OPTIONS (3- and 4-panel)

Wood

120 mm x 120 mm on the sides (Minimum 100 mm x 100 mm) and 250 mm x 120 mm above the door.

Concrete

120 mm of smooth concrete on the sides (Minimum 100 mm) and 120 mm on the top. If the walls are made of rough washed concrete, you can cover them with:

- 120 mm x 50 mm L-steel (4 mm) on the sides and top
- 120 mm film plywood (6 mm) on the sides and top
- 120 mm x 50 mm wood on the sides and top

Steel

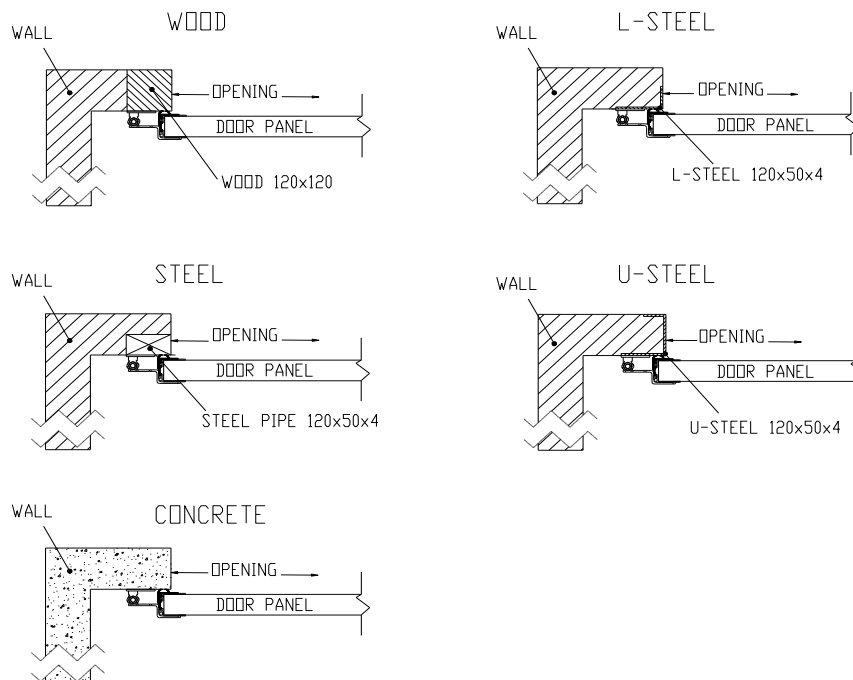
A 4 mm square pipe, L-steel or U-steel is suitable.

- 100 mm x 50 mm RHS-pipe on the sides and top
- 120 mm x 50 mm Angle iron or U-Steel (120 x wall x 50) the sides and top

Light element

The door cannot be mounted directly to the light element wall. In this cases, the door opening can be surrounded with U-steel, RHS-pipe or wood.

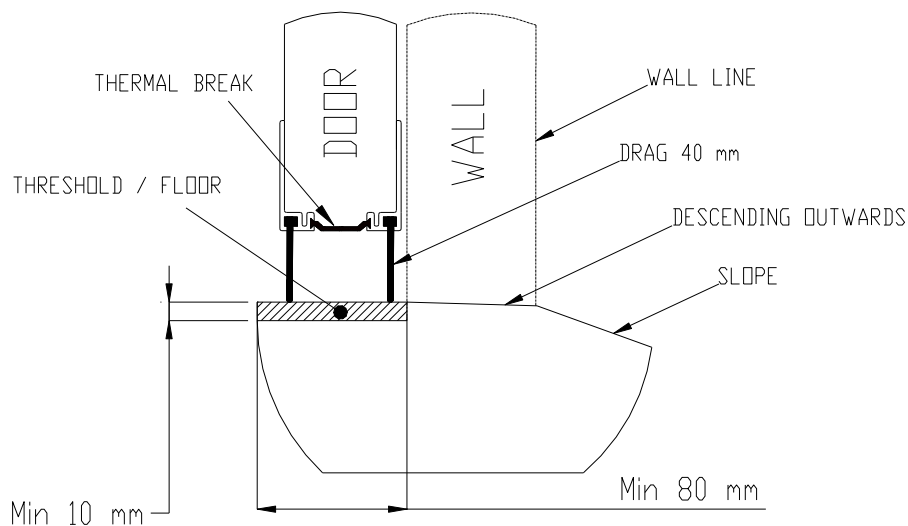
MOUNTING SURFACE OPTIONS



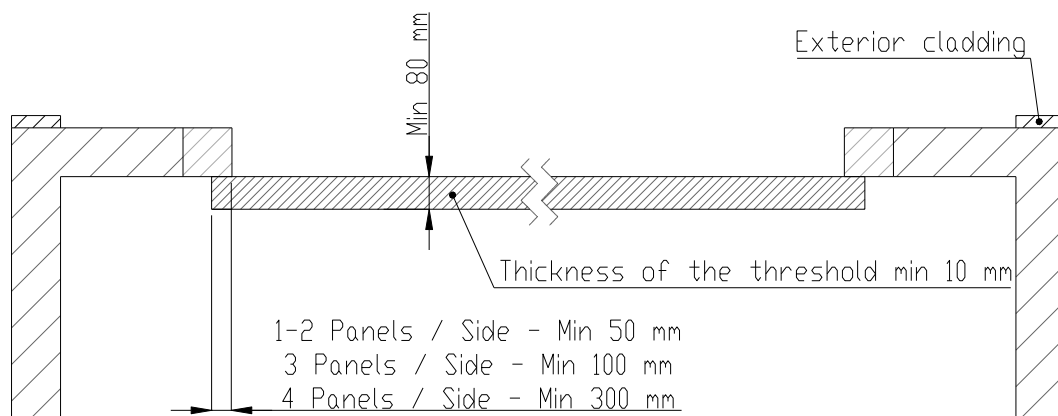
THRESHOLD FOR INSWING DOOR

The floor must be flat at least 80 mm from the inner surface of the wall inwards. The flat section can be concrete casting or you can put a threshold iron on it. Threshold steel needs to be at least 100 mm wider than the door opening so that the door fits over it from the edges as well.

The folding door is sealed from below with 40 mm double rubber gasket. The lateral movement of the door is limited by the lower guide installed in the floor in the middle of the door, which guides the door to always close in the same place. Do not put heating pipes on middle of the threshold so that the lower guide can be bolted in place.



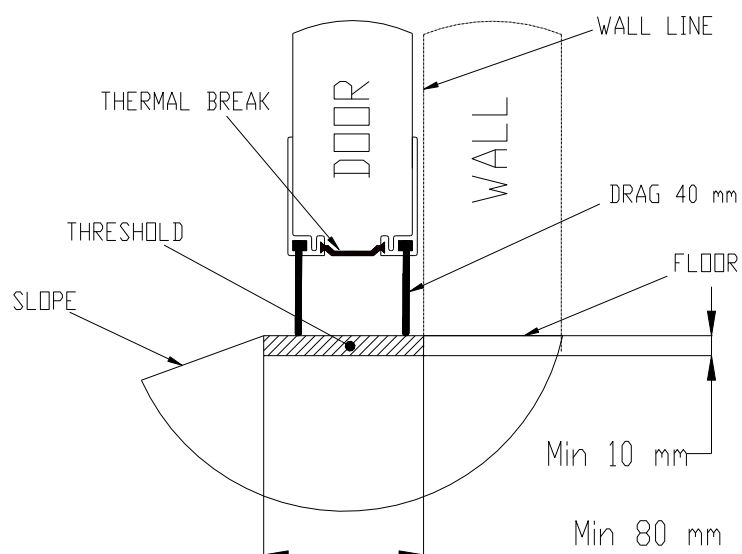
THRESHOLD FOR INSWING DOOR



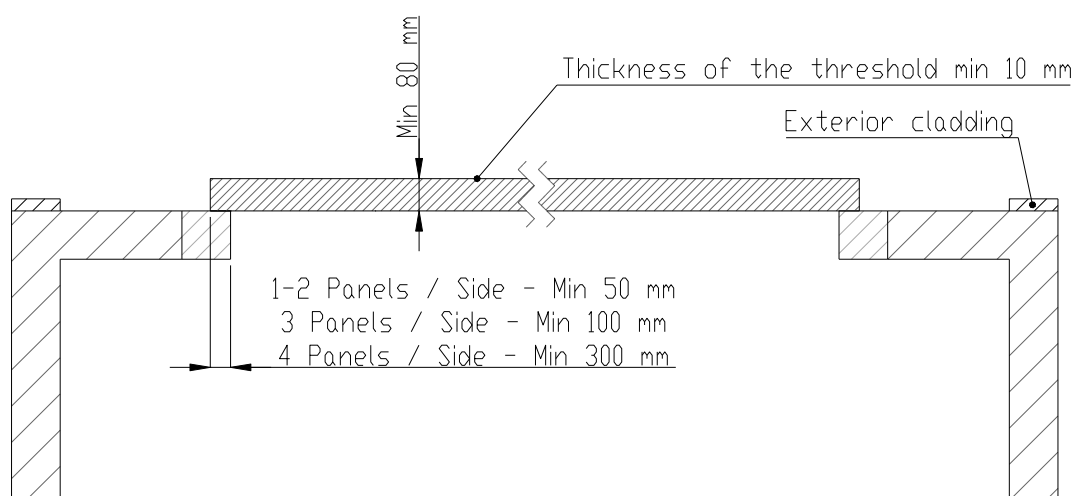
THRESHOLD FOR OUTSWING DOOR

The floor must be flat at least 80 mm outwards from the outer surface of the wall. The flat section can be concrete casting or you can put a steel on it. Threshold steel needs to be at least 100 mm wider than the door opening so that the door fits over it from the edges as well. A heating cable can be placed inside the threshold.

The folding door is sealed from below with 40 mm double rubber gasket. The lateral movement of the door is limited by the lower guide installed in the floor in the middle of the door, which guides the door to always close in the same place. Do not put heating pipes on middle of the threshold so that the lower guide can be bolted in place.



THRESHOLD FOR OUTSWING DOOR





ELECTRIC OPERATORS

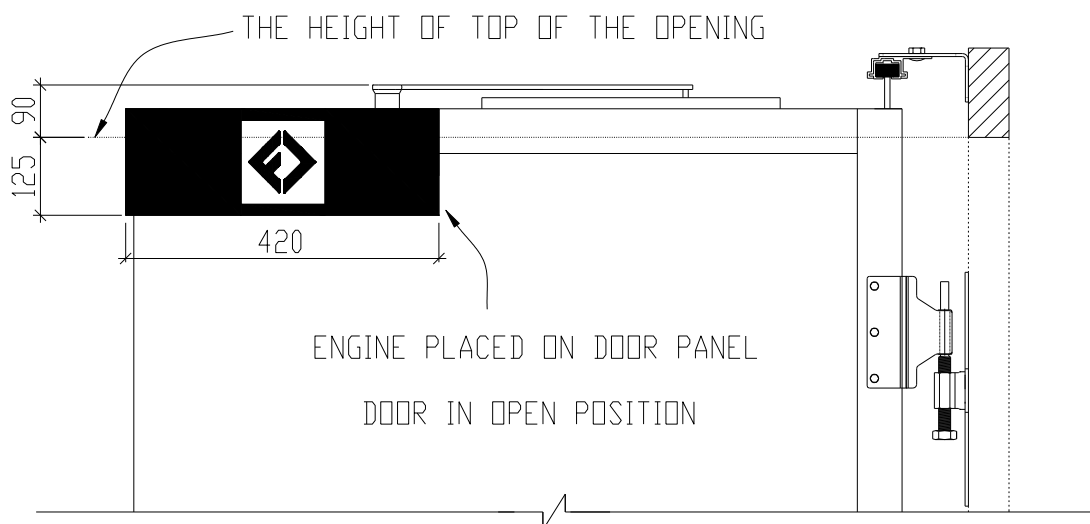
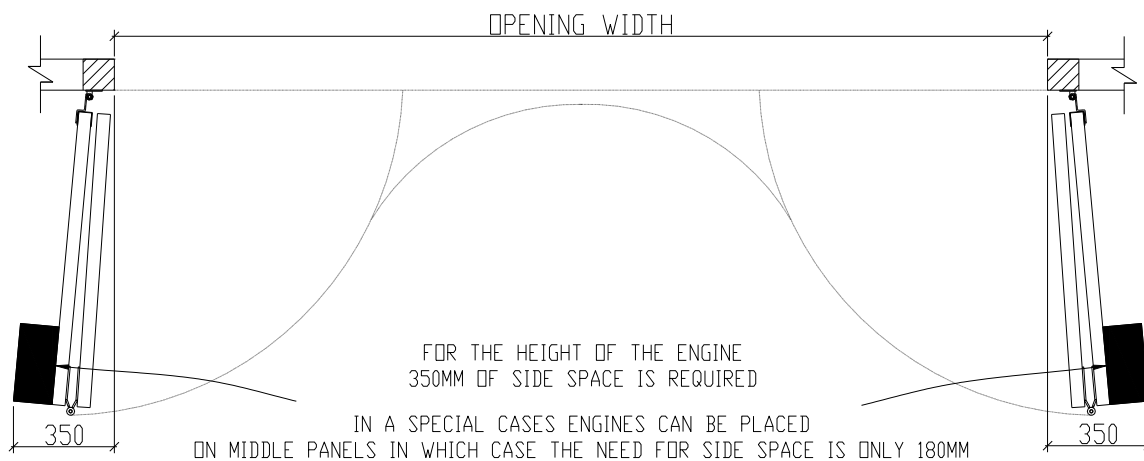
We have two different kind of electric operators.

- **FD Operators** are attached on the door panels, so it does not need any mounting space above the opening. FD operators are excellent for all sizes of doors. FD operators are working with light current (230V). These operators are used for example in halls, smaller fire stations and barns.

- **Chain operator** is suitable for all 4-, 6- and 8-panel folding doors. It is well suited for large-sized doors, as well as for locations where doors are opened frequently. Chain operators are usually used for example in car washes and large fire stations. Chain operator works with power current (400V).

FD OPERATORS

FD operators are attached on top of the door panels. These operators do not require any extra mounting surfaces. On 3 and 4-panel doors 350 mm of free side space is required from the height of the operators when the door is on open position. In special cases, the operators can be placed in the middle panels, in which case the need for the side space is only 180 mm. Light current (230V) is needed for FD operators.

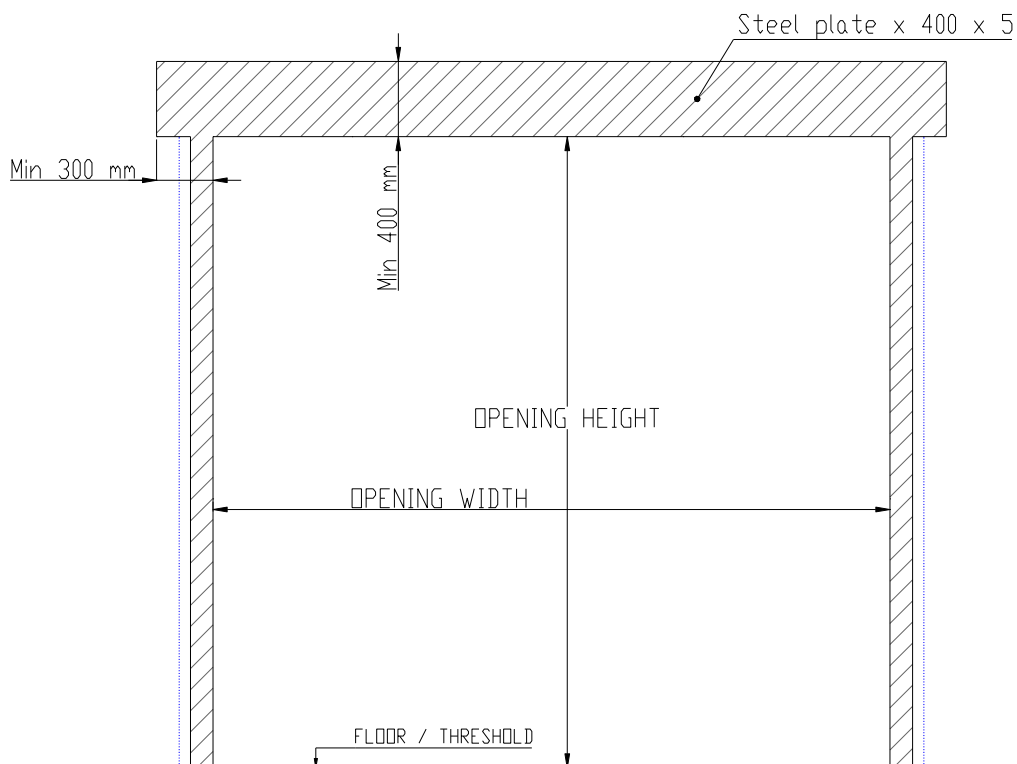


MOUNTING SURFACE FOR CHAIN OPERATOR

Chain operator requires more top mounting surface. Operator works with power current. Installation requires two personnel lifts.

An opening less than 5 meters wide

- 400 mm mounting surface on top of the door.
- There must be minimum 300 mm from the side of the opening to the edge of top mounting surface.
- The places of the chain operators brackets can be requested from the salesman separately if there is no possible to have steel plate all the way on the top of the door.



An opening wider than 5 meters

- 400 mm mounting surface on top of the door.
- There must be minimum 500 mm from the side of the opening to the edge of top mounting surface.
- The places of the chain operators brackets can be requested from the salesman separately if there is no possible to have steel plate all the way on the top of the door.
- If you have a 6-leaf door or the door is more than 6 meters wide, please ask for the requirements separately.

